

MLS-100

External Loudspeaker

The **MLS-100** External Loudspeaker is a high performance communications speaker matching the impedance and output requirements of most Yaesu transceivers.

INSTALLATION

1. Remove the **MLS-100** from the bracket by removing the two thumbscrews.
2. Choose a place to mount the **MLS-100**.
3. Use the bracket as a template to mark the locations of the mounting holes.
4. Use a 4.8-mm (3/16") bit to drill the holes, and secure the bracket with the supplied screws, washers, and nuts, or drill pilot holes with a small drill, and secure the bracket with the supplied tapping screws and washers.
5. Insert the **MLS-100** into the bracket with the rubber washers and thumbscrews. Be sure to position the rubber washers between the **MLS-100** and the bracket, and *not* on the outside of the bracket.
6. Route and secure the speaker cable.
7. Insert the speaker plug into the transceiver's **EXT SPKR** jack.

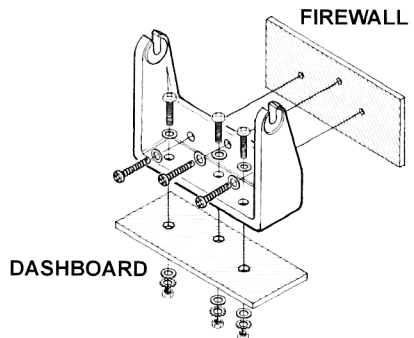
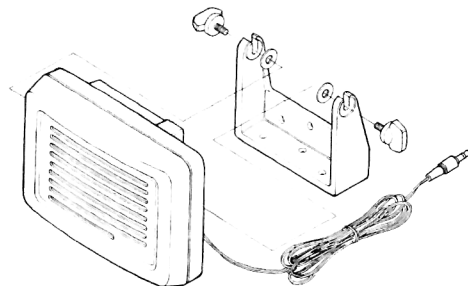
SPECIFICATIONS

Maximum Power Input : 10 W (Voice)

Impedance : 4 Ohms

Speaker Plug : 3.5 mm standard
2-contact miniature phone plug

Speaker Cable Length : 2 m (6½')



Safety Precautions (Be Sure to Read)

Be sure to read the safety precautions of Operating Manual of the compatible transceiver to use this product safely.

Disposal of Electrical and Electronic Equipment

Products with the symbol (crossed-out wheeled bin) cannot be disposed of as household waste.

Electronic and Electrical Equipment should be recycled at a facility capable of handling these items and their waste by products.

Please contact a local equipment supplier representative or service center for information about the waste collection system in your country.



YAESU MUSEN CO., LTD.

Tennozu Parkside Building
2-5-8 Higashi-Shinagawa, Shinagawa-ku, Tokyo 140-0002 Japan

YAESU USA

6125 Phyllis Drive, Cypress, CA 90630, U.S.A.

YAESU UK

Unit 12, Sun Valley Business Park, Winnall Close
Winchester, Hampshire, SO23 0LB, U.K.



1910I-AS



E 0 9 2 6 1 0 0 B